

# APPARTUM - technical info card

---

## *Overview*

APPARTUM is an interactive audiovisual installation created by panGenerator group for Adam Mickiewicz Institute.

More info: <https://pangenerator.com/projects/appartum/>

Country of origin - Poland

Year of production - 2018

Owner - Adam Mickiewicz Institute



## *Dimensions & weight:*

### **Dimensions when assembled:**

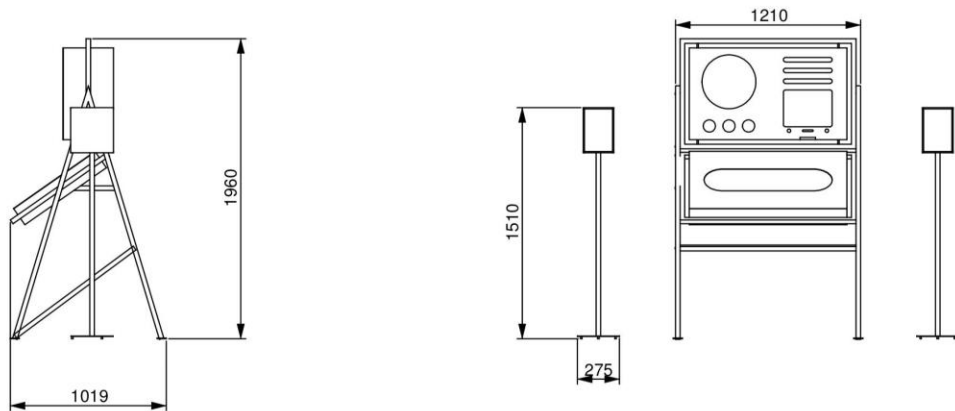
Overall dimensions of the main part after assembly (approximately):

H: 1960, W: 1210, D: 1019 mm

Speaker column size after assembly (approximately):

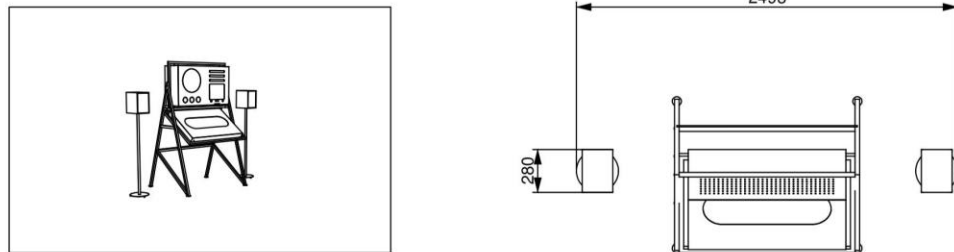
H: 1510, W: 275, D: 280 mm

With the columns positioned on the sides the whole setup is +/- 2500 mm wide.



#### APPARATUM

all dimensions in mm  
some dimensions might not be 100% accurate



#### Dimensions of the transport cases\*:

Case 1 - 412 x 1170 x 1090 mm

Case 2 - 502 x 1162 x 880 mm

*\*standard laminated plywood + aluminium flight cases on wheels*

#### Weight - **NEEDS VERIFICATION !**:

Total weight netto: ~ 100 kg

Total weight brutto: ~ 150 kg

### Materials used:

- Steel - powder coated white / black
- Perforated aluminum - powder coated white
- Plywood - oiled black
- Plexiglass
- 3D printed elements (material - PLA)
- Cables
- Various electronic and electromechanical components (see below)

### Main components:

COMPONENT NAME	ADDITIONAL INFO (for *.pdf files see /components-info/ folder)
LCD 40" Touchscreen - NEC MultiSync® P404 SST (ShadowSense)	P404SST.pdf
Computer - Apple Mac Mini (late 2014) dual-core i5 2.6Ghz/ 8GB / Iris Graphics	Mac-mini-(Late2014)-TechnicalSpecifications.pdf
Audio Mixer - MIDAS MR18	MIDAS_MR18 P0C8H Product Information Document.pdf
2 x Active Speaker - Presonus ERIS E5	ErisE5andE8_OwnersManual_EN_V6_23072018.pdf
Hama USB 2.0 Hub 78498	HamaHubUSB.pdf
2 x servo: Power HD 1705MG Hitec HS-81	Power HD HD-1705MG.pdf Hitec hs81.pdf
DC Motors: 3 x Pololu 25Dx48L 5 x MT82 6V /2169 3 x Motraxx X Drive 540-1	Pololu 25D.pdf mt82.pdf MOTRAXX_X_DRIVE_540_1.pdf
Custom electronics (Teensy 3.2 microcontroller, 6 x SparkFun SCMD motor drivers, passive components, cables, magnetic audio tape samplers, etc. )	teensy 3_2.pdf Sparkfun SCMD.pdf
12V LED lighti strips - white	
Receipt thermal printer	ThermalReceiptPrinterGuts-ID_2753.pdf
Wireless keyboard - Logitech K400	k400-professional-wireless-touch-keyboard-datasheet-emea.ENG.pdf

Power supply unit 7.5V DC	
Power supply init 12V DC	

*Power requirements*

220-230 V AC 50-60Hz - regular power outlet - european (shuco)  
650 W max

*Additional requirements*

...